

# Camera lift ref. 270/296

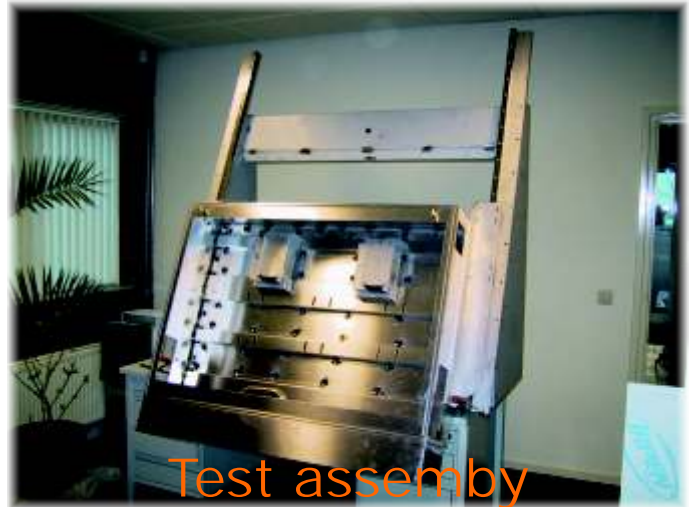
## Introduction

Print stations of sheet fed printing presses need to be accessible from all sides. Covers, floor boards and safety guards must open for changing jobs and daily maintenance.

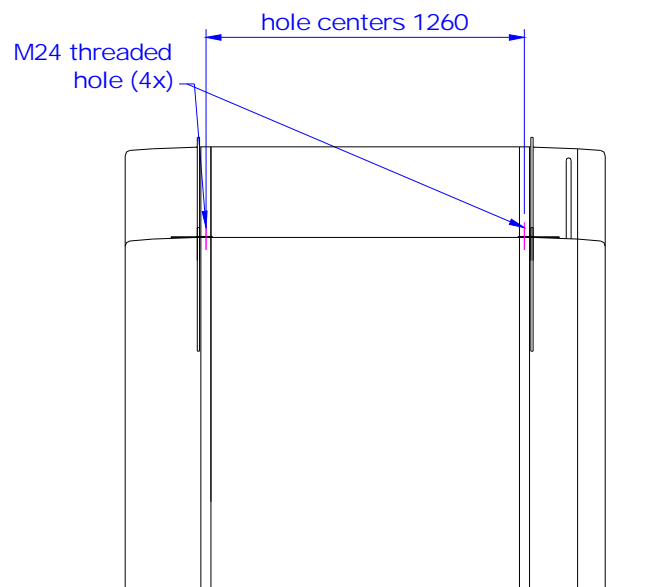
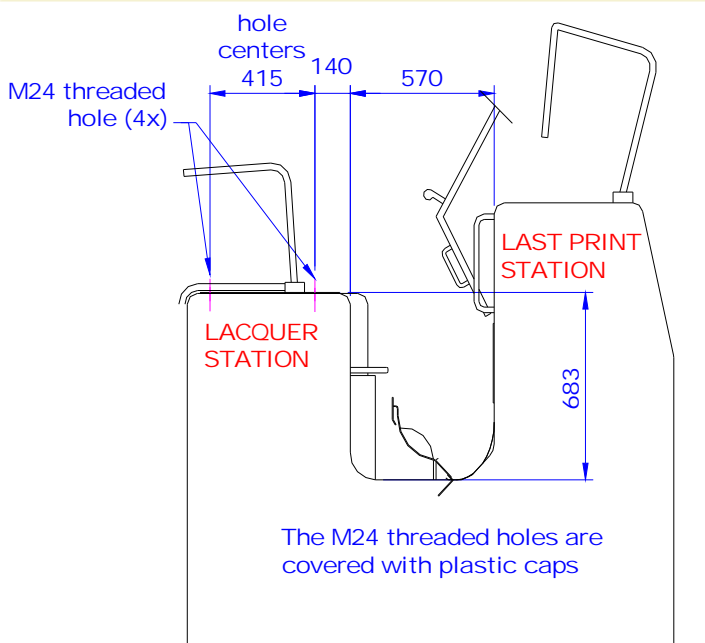
Due to this, retrofitting these machines with an in-line inspection system was not possible.

This sheet shows an earlier development by miniPLEX that positions a camera enclosure close to the print at the last printing station while printing. The enclosure travels out of workers' way during job changes. Two of these units were built. They have been in use for over 7 years.

Meanwhile the solution has been developed into a lift system as documented on sheets 370 and 371.



## Press dimensions





Rear view



Controls

## Operation

After setting a job:

- The safety guard of the last printing station is opened and the floor board between last printing station and lacquer station is opened.
- The camera enclosure is lowered by a two hand safety control. In the bottom position the unit is positioned by two lock pins (All gaps are closed by the unit)
- The safety circuit is closed automatically.
- The 'air knife' blower revs up.
- Printing and inspection can commence.

## System components

- The camera enclosure incorporates:
  - 2, 3 or 4 line scan cameras;
  - lighting equipment;
  - An air-hold-down unit ('air knife');
- Support containing electronic components, SKF 24 VDC actuator with gear motor, mains switch, control buttons and lights.
- Air blower for the 'air knife'
- Inverter to control the air blower.

## Contact

miniPLEX B.V.  
Vossenlaan 17  
NL 6705 CD Wageningen-Hoog  
The Netherlands

Cell phone +31 (0) 6 499 08 711  
Phone +31 (0) 317 45 02 14  
E-mail info@miniPLEX.nl  
Web www.miniPLEX.nl

## Electrical supplies

Control unit in lift support, single phase:

- either 1x 220/240 VAC – 2 Amps – 50 Hz
- or 1x 110/120 VAC – 4 Amps – 60 Hz.

Supply to frequency inverter for air blower:

- either 3x 380 VAC – 25 Amps – 50 Hz
- or 3x 220 VAC – 40 Amps – 60 Hz.

## System connections

